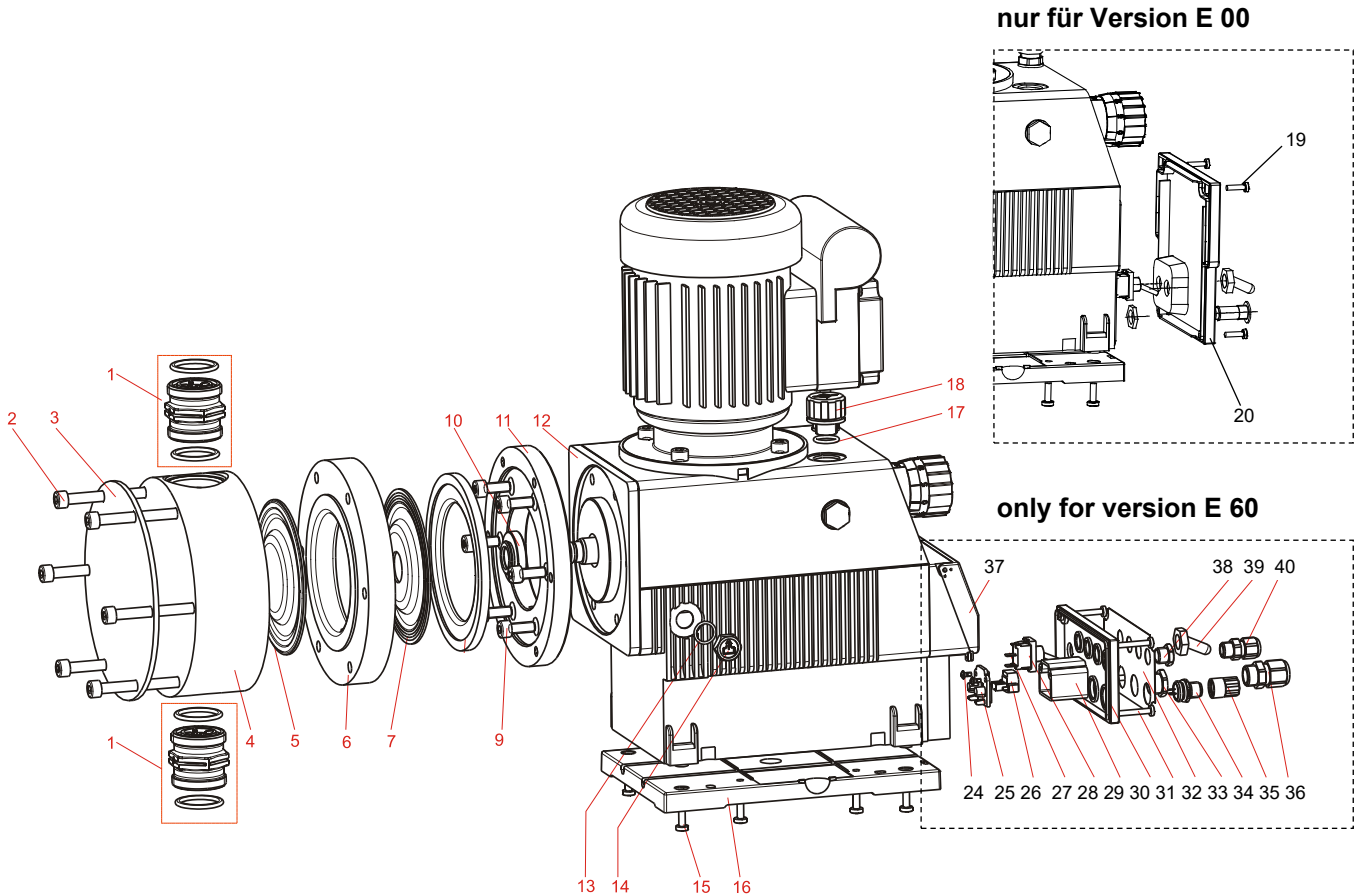


# EMP IV Type 04500 – 07500

## Spare parts



### Spare Parts:



Item	Article	450 l/h (540 l/h)	630 - 750 l/h (756 - 900 l/h)
1	Suction/pressure valve SDV <b>PP FP</b> KE 000 G2 -G2 - 99* SDV <b>PP EP</b> KE 000 G2 -G2 - 99* SDV <b>PV FP</b> KE 000 G2 - G2 - 99* SDV <b>PV EP</b> KE 000 G2 - G2 - 99*	249503 249504 249505 249506	
2	Hexagon socket screw M8 x 120 VA	413031067	
3	Pressing plate	34950160	34950145
4	Pump head <b>PP</b> Pump head <b>PVDF</b>	34950134 34950138	34950136 34950139
5	Conveying diaphragm	34950153	34950105
6	Intermediate ring <b>PP</b> Intermediate ring <b>PVDF</b>	34950149 34950195	34950151 34950196
7	Protective diaphragm	34950164	34950165
9	Hexagon socket screw M8 x 20 VA	413031055	
10	Receiver disc for protective diaphragm	34950152	
11	Intermediate plate	34950146	34950148

\* Please see page 21 for code declaration

## EMP IV Type 04500 – 07500 Spare parts



Item	Article	Material-No.
12	Flange plate	34950124
13	O-ring 9 x 2 NBR	417002063
14	Locking nut	415204603
15	Oval head screw M5 x 16 VA	413119274
16	Mounting plate	34950123
17	O-ring 15 x 2.5 NBR	417002137
18	Vent screw	415204601

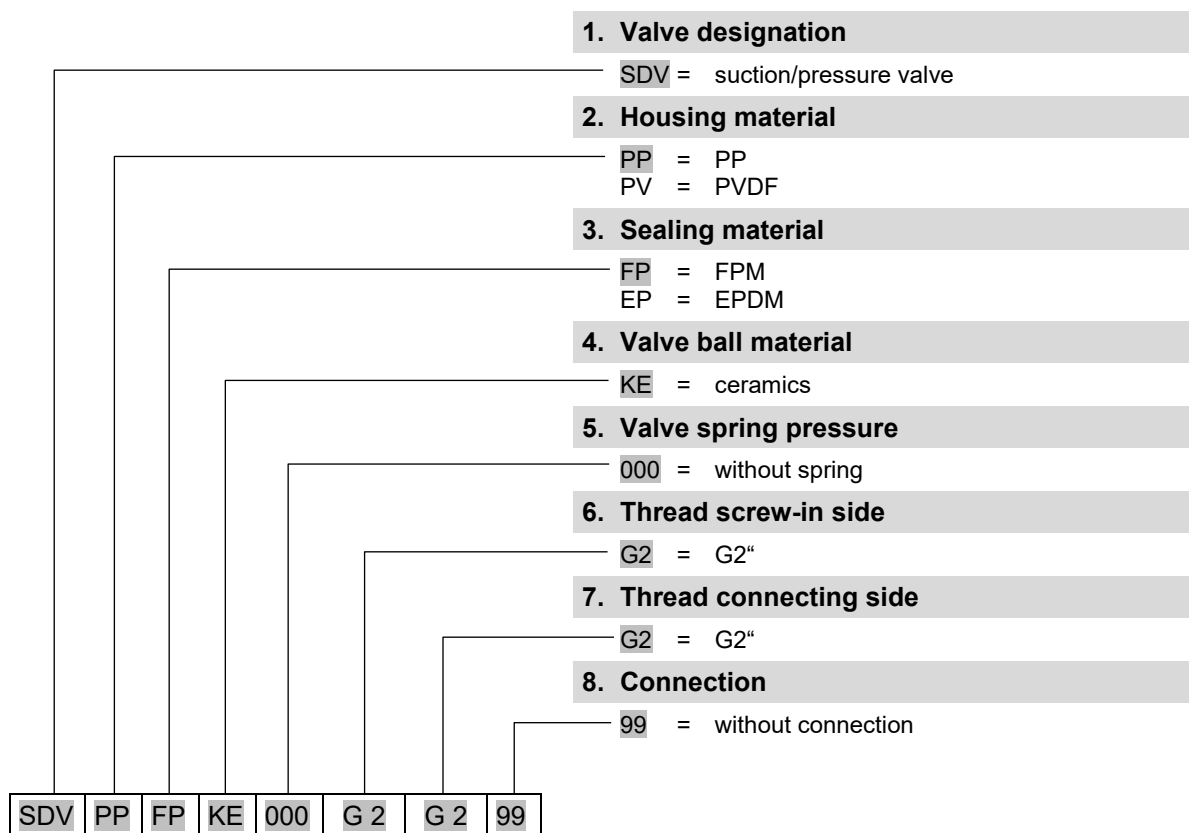
### only for versions E 00 / E 10

19	Oval head screw M4 x 16 VA	413119230
20	Front panel for version E00	34950161

### only for version E 60

24	EJOT-PT - Screw KB 30 x 8	413071033
25	Connector mounting	34950125
26	Connector, two-pole, RM 5.08	418461544
27	Switch connecting cable	249690
28	Toggle switch	418244171
	Slip-on lever sleeve for toggle switch	418244180
29	Connecting cover	34950119
30	Sealing cord $\varnothing$ 2 mm in connecting cover (0.37 m) (available by the meter)	417401005
31	Oval head bolt M4 x 30	413119236
32	Connection label E60	34950131
33	Dummy plug M16 x 1.5	418441042
34	Flange connector, 3-pole M12	34950209
35	Dummy connector, "Empty" signal input	248186
36	Threaded cable union M16 x 1.5	418441010
37	See-through cover	34950120
38	Dummy plug M12 x 1.5	418441041
39	Protective cap for toggle switch	418244179
40	Threaded cable union M12 x 1.5	418441009

Suction and pressure valve code



Connection material see page 17

# EMP IV Type 04500 – 07500

## Wearing parts

### Set of wearing parts (complete)

consisting of 1 piece each:

- Suction valve with hose connection material
- Pressure valve with hose connection material
- Diaphragms
- Protective diaphragm

Article	Code	Material-No.
Wearing part set	EMP IV 04500 PP FP KE	250164
	EMP IV 06300/07500 PP FP KE	250165
	EMP IV 04500 PP EP KE	250166
	EMP IV 06300/07500 PP EP KE	250167
	EMP IV 04500 PV FP KE	250168
	EMP IV 06300/07500 PV FP KE	250169
	EMP IV 04500 PV EP KE	250170
	EMP IV 06300/07500 PV EP KE	250171

